

MATCH LINE STA. 355+00

REVISIONS

DATE	BY	DESCRIPTION	DATE	BY	DESCRIPTION

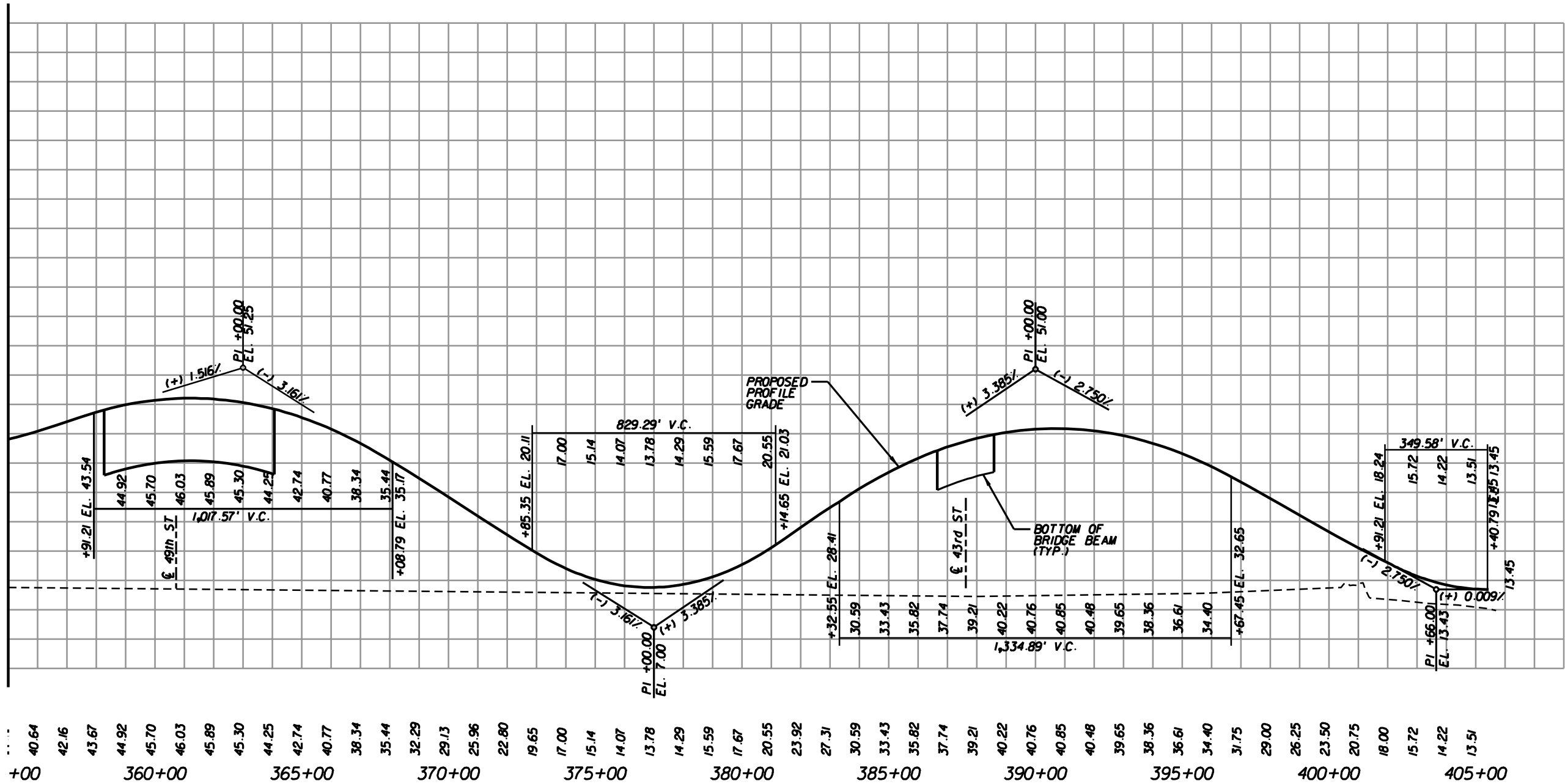
American
 Consulting Engineers of Florida, LLC
 4111 Land O' Lakes Blvd. Suite 210
 Land O' Lakes, Florida 34639
 Phone: (813) 996-2800 Fax: (813) 996-1908
 Certificate of Authorization No. 7110
 Jeffrey S. Novotny, P.E. No. 51083

STATE OF FLORIDA DEPARTMENT OF TRANSPORTATION		
ROAD NO.	COUNTY	FINANCIAL PROJECT ID
CR 296	PINELLAS	413622-1-22-01

118TH AVENUE (CR 296) CONNECTOR
PD&E STUDY
ALTERNATIVE Dmod-G MAINLINE PROFILE

SHEET NO.
10

MATCH LINE STA. 355+00



+00 40.64
 42.16
 43.67
 44.92
 45.70
 46.03
 45.89
 45.30
 44.25
 42.74
 40.77
 38.34
 35.44
 32.29
 29.13
 25.96
 22.80
 19.65
 17.00
 15.14
 14.07
 13.78
 14.29
 15.59
 17.67
 20.55
 23.92
 27.31
 30.59
 33.43
 35.82
 37.74
 39.21
 40.22
 40.76
 40.85
 40.48
 39.65
 38.36
 36.61
 34.40
 31.75
 29.00
 26.25
 23.50
 20.75
 18.00
 15.72
 14.22
 13.51
 405+00

REVISIONS

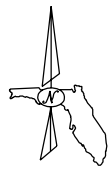
DATE	BY	DESCRIPTION	DATE	BY	DESCRIPTION

American
 Consulting Engineers of Florida, LLC
 4111 Land O' Lakes Blvd, Suite 210
 Land O' Lakes, Florida 34639
 Phone: (813) 996-2800 Fax: (813) 996-1908
 Certificate of Authorization No. 7110
 Jeffrey S. Novotny, P.E. No. 51083

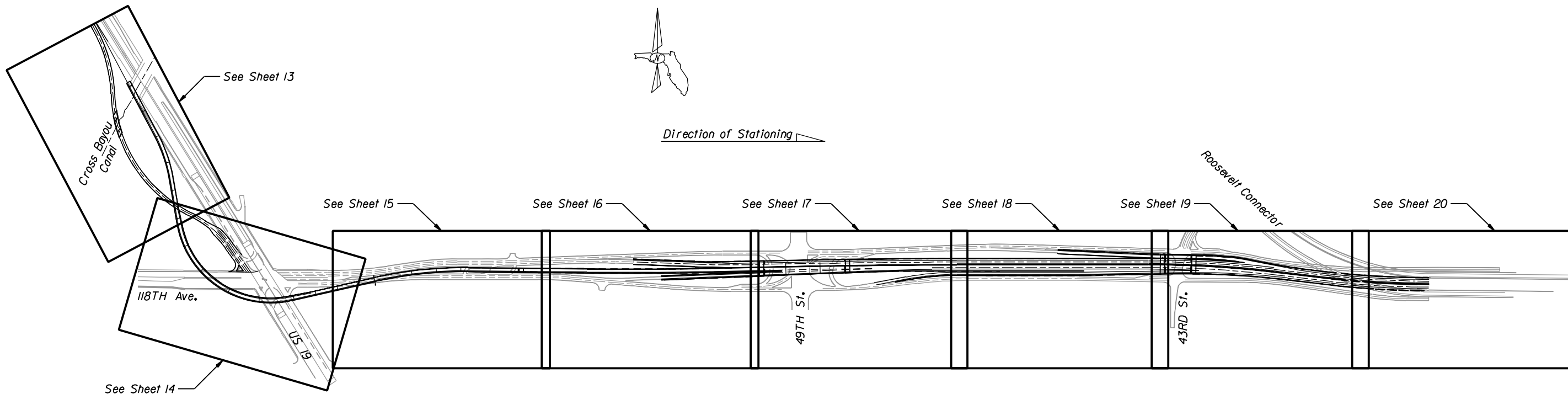
STATE OF FLORIDA DEPARTMENT OF TRANSPORTATION		
ROAD NO.	COUNTY	FINANCIAL PROJECT ID
CR 296	PINELLAS	413622-1-22-01

118TH AVENUE (CR 296) CONNECTOR
 PD&E STUDY
 ALTERNATIVE Dmod-G MAINLINE PROFILE

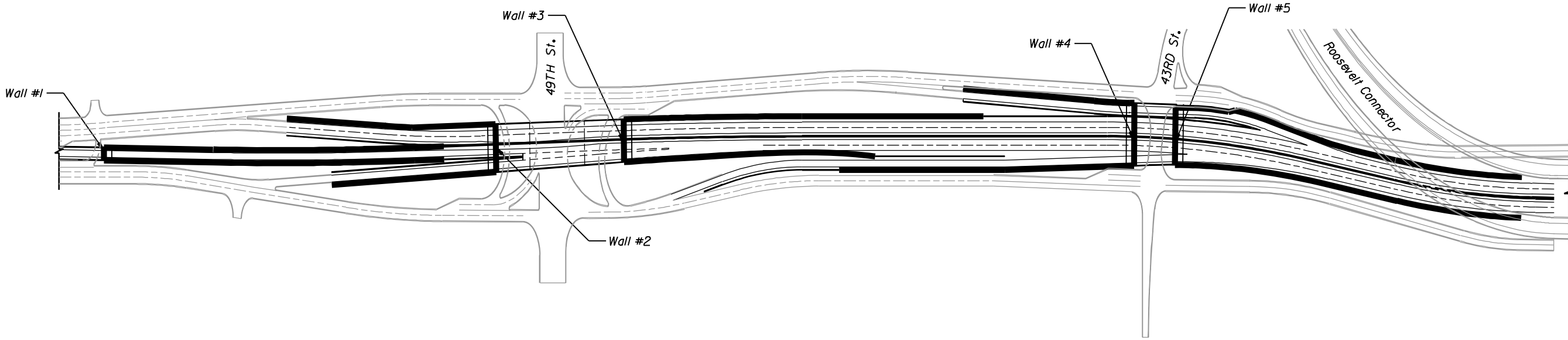
SHEET NO.
 11



Direction of Stationing

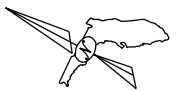


OVERVIEW OF PROJECT

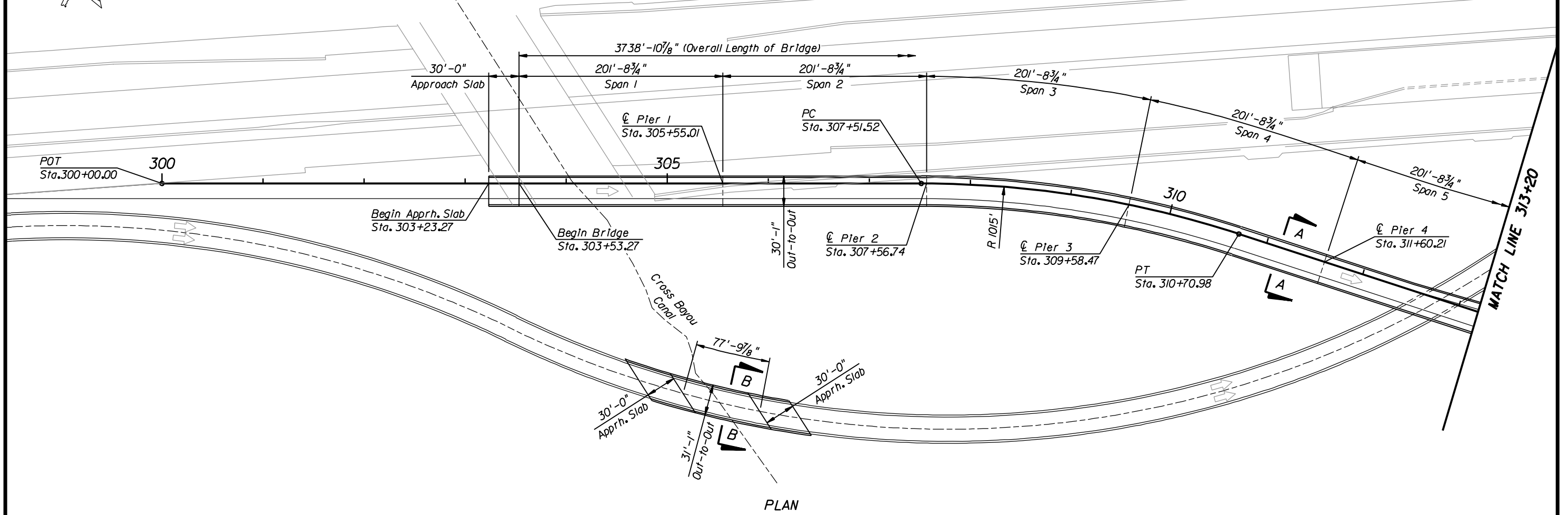


WALL LAYOUT SCHEMATIC (NTS)

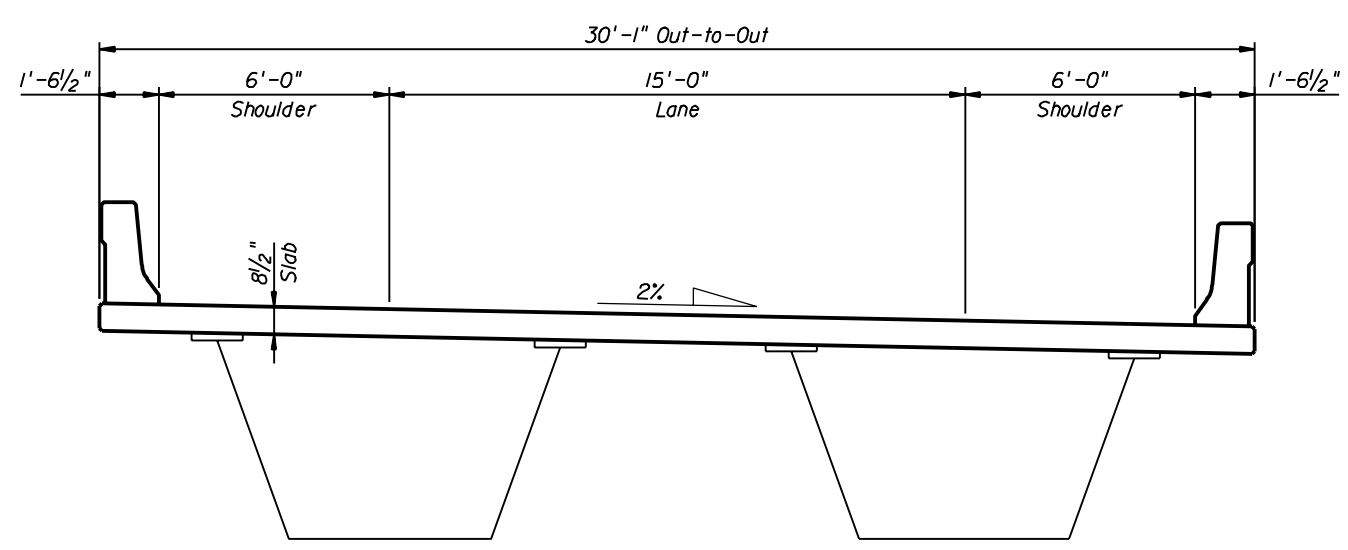
REVISIONS						ENGINEER OF RECORD			FLORIDA DEPARTMENT OF TRANSPORTATION			SHEET TITLE	
DATE	BY	DESCRIPTION	DATE	BY	DESCRIPTION	NAME	DATES	ROAD NO.	COUNTY	FINANCIAL PROJECT ID	PROJECT NAME		SHEET NO.
						DRAWN BY	JLV 2-05	CR 296	PINELLAS	413622-1-22-01	OVERVIEW OF PROJECT		12
						CHECKED BY	SK 2-05	American Consulting Engineers of Florida, LLC 4711 Land O' Lakes Blvd., Suite 210 Land O' Lakes, Florida 34639 Phone: (813) 996-2800 Fax: (813) 996-1908 Engineering Business No. EB7110 Scott M. Korpi, P.E. No. 50357					
						DESIGNED BY	JLV 2-05						
						CHECKED BY	SK 2-05						
						APPROVED BY	SCOTT KORPI, PE						
											118TH AVENUE (CR 296) CONNECTOR FROM US 19 TO EAST OF 49TH STREET		



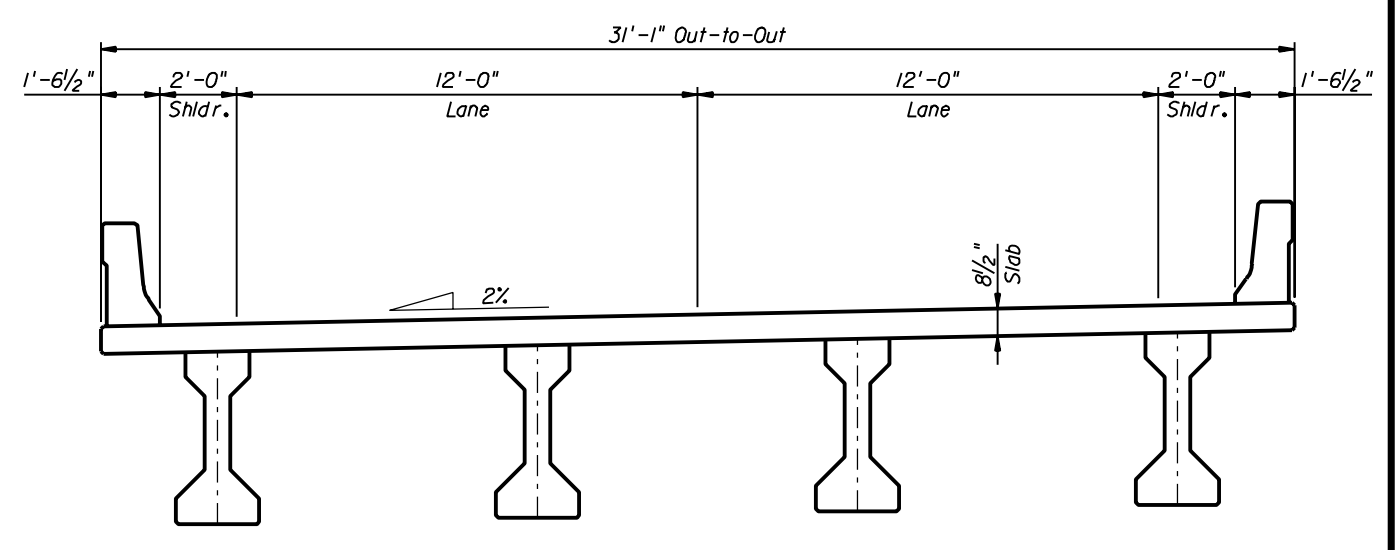
Direction of Stationing



PLAN

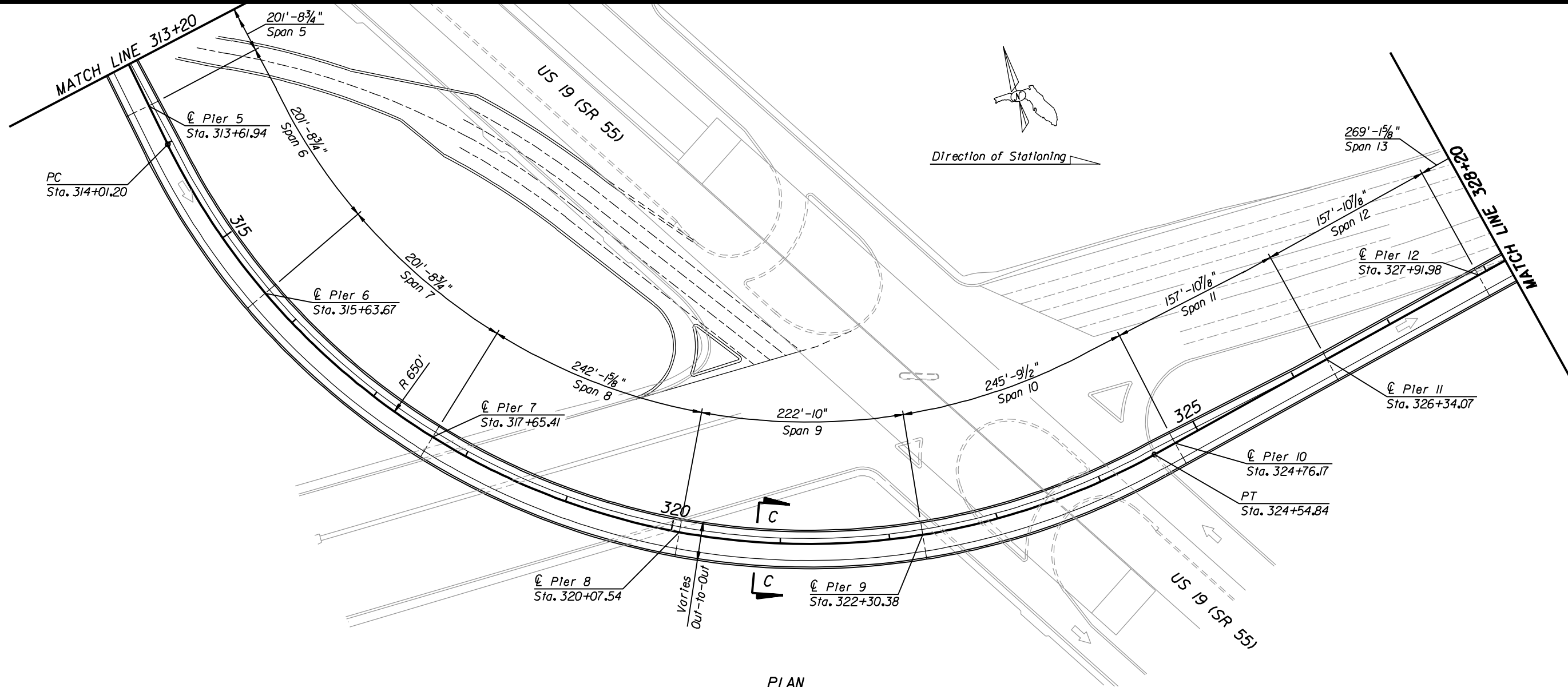


SECTION A-A

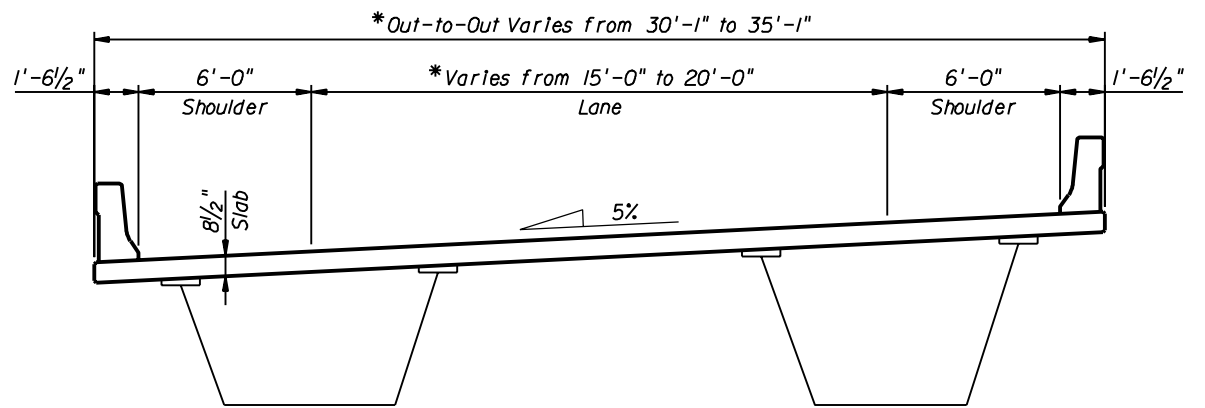


SECTION B-B

REVISIONS						ENGINEER OF RECORD			FLORIDA DEPARTMENT OF TRANSPORTATION			SHEET TITLE			
DATE	BY	DESCRIPTION	DATE	BY	DESCRIPTION	NAMES	DATES	ROAD NO.	COUNTY	FINANCIAL PROJECT ID	PROJECT NAME		SHEET NO.		
						DRAWN BY	JLV	2-05	 American Consulting Engineers of Florida, LLC 4111 Land O' Lakes Blvd., Suite 210 Land O' Lakes, Florida 34639 Phone: (813) 996-2800 Fax: (813) 996-1908 Engineering Business No. E87110 Scott M. Korpi, P.E. No. 50387	CR 296	PINELLAS	413622-1-22-01	PLAN (DRAWING 1 OF 8) 118TH AVENUE (CR 296) CONNECTOR FROM US 19 TO EAST OF 49TH STREET		13
					CHECKED BY	SK	2-05								
					DESIGNED BY	JLV	2-05								
					CHECKED BY	SK	2-05								
					APPROVED BY	SCOTT KORPI, PE									



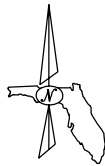
PLAN



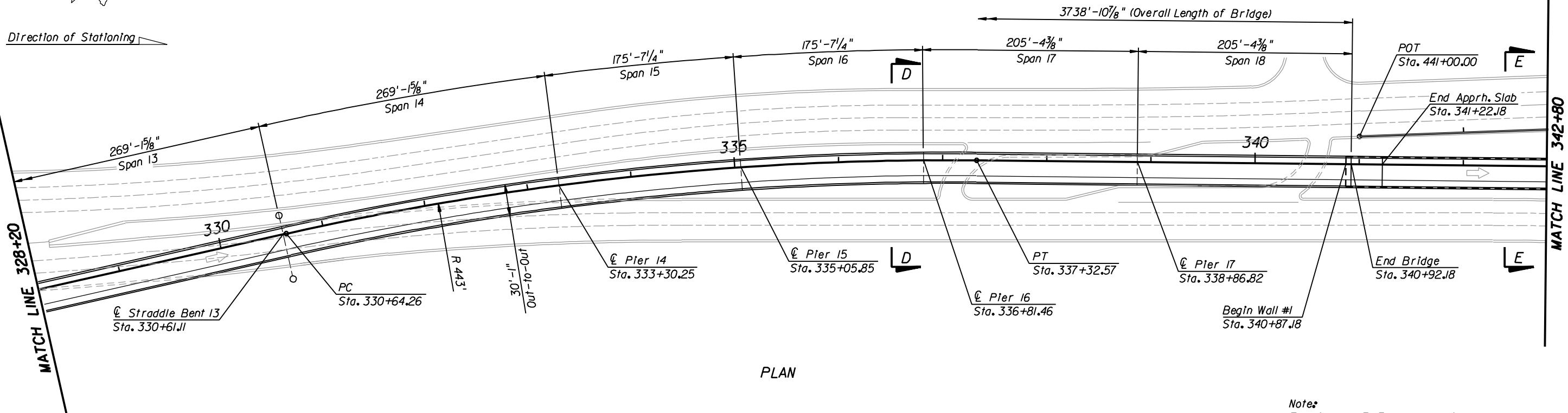
SECTION C-C

* Width increase for sight distance requirements.

REVISIONS						ENGINEER OF RECORD			FLORIDA DEPARTMENT OF TRANSPORTATION			SHEET TITLE		
DATE	BY	DESCRIPTION	DATE	BY	DESCRIPTION	NAME	DATES	ROAD NO.	COUNTY	FINANCIAL PROJECT ID	PROJECT NAME		SHEET NO.	
						DRAWN BY	JLV 2-05	American Consulting Engineers of Florida, LLC 4111 Land O' Lakes Blvd., Suite 210 Land O' Lakes, Florida 34639 Phone: (813) 996-2800 Fax: (813) 996-1908 Engineering Business No. E87110 Scott M. Korpi, P.E. No. 50387	CR 296	PINELLAS	413622-1-22-01	118TH AVENUE (CR 296) CONNECTOR FROM US 19 TO EAST OF 49TH STREET		14
					CHECKED BY	SK 2-05								
					DESIGNED BY	JLV 2-05								
					CHECKED BY	SK 2-05								
					APPROVED BY	SCOTT KORPI, PE								
												PLAN (DRAWING 2 OF 8)		

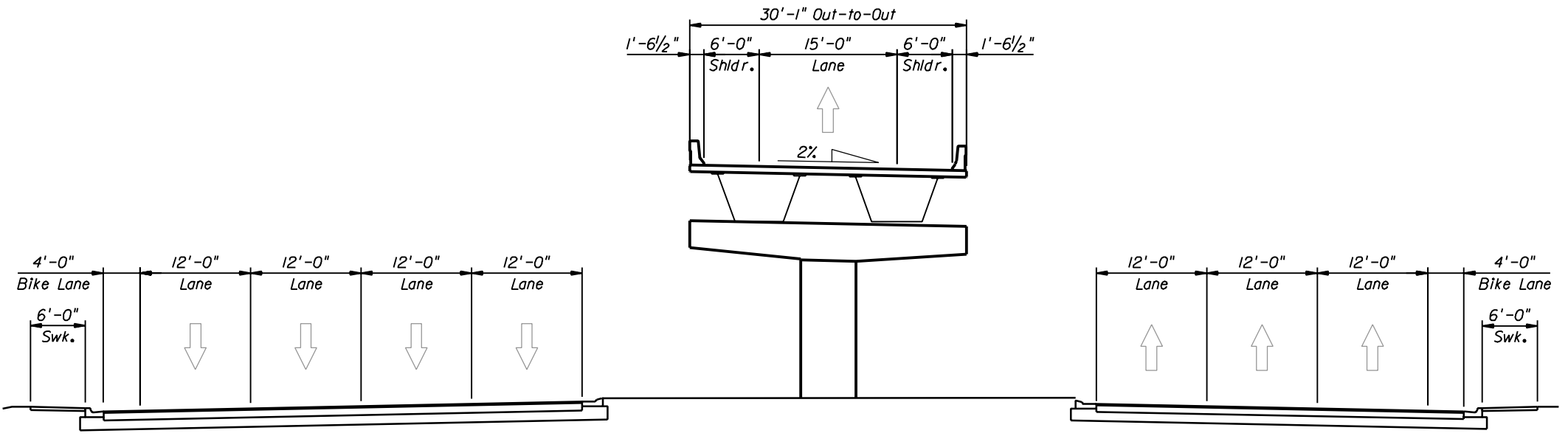


Direction of Stationing



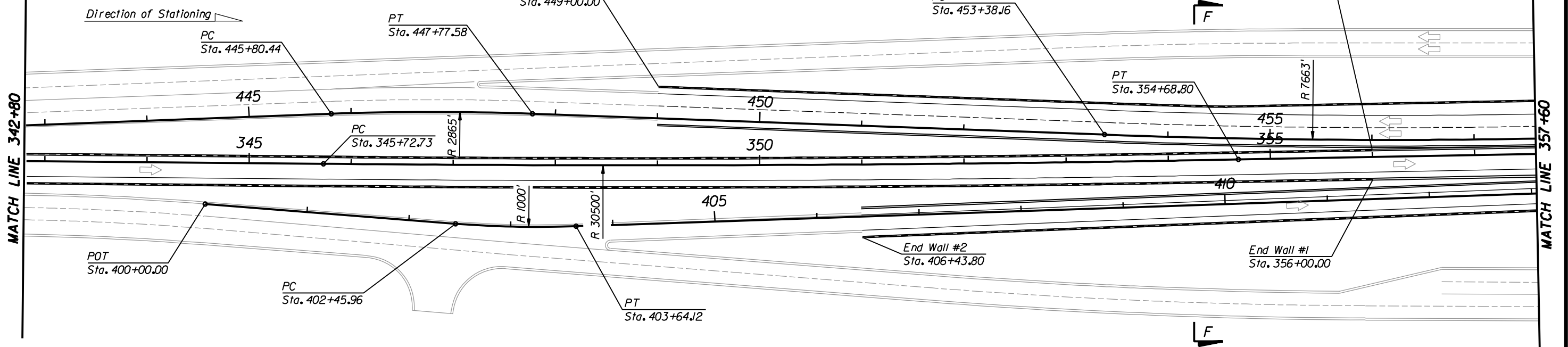
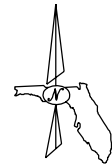
PLAN

Note:
For Section E-E, see sheet 21.

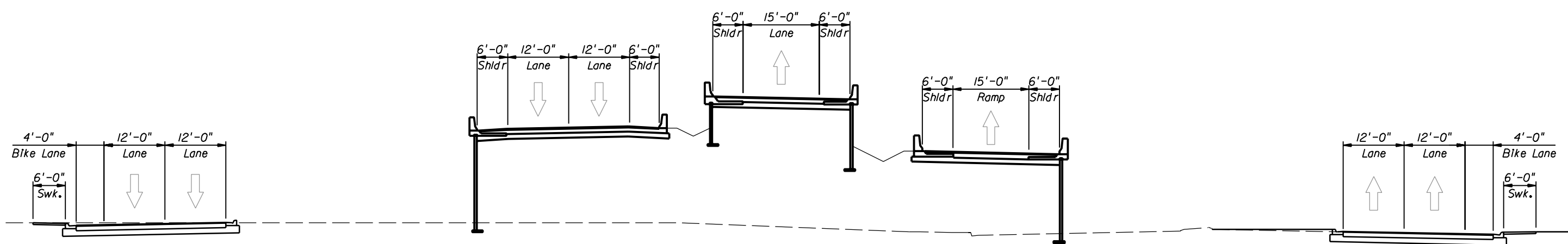


SECTION D-D

REVISIONS				ENGINEER OF RECORD			FLORIDA DEPARTMENT OF TRANSPORTATION			SHEET TITLE		
DATE	BY	DESCRIPTION	DATE	BY	DESCRIPTION	ROAD NO.	COUNTY	FINANCIAL PROJECT ID	PROJECT NAME		SHEET NO.	
						CR 296	PINELLAS	413622-1-22-01	118TH AVENUE (CR 296) CONNECTOR FROM US 19 TO EAST OF 49TH STREET		15	
				American Consulting Engineers of Florida, LLC 4711 Land O' Lakes Blvd., Suite 210 Land O' Lakes, Florida 34639 Phone: (813) 996-2800 Fax: (813) 996-1908 Engineering Business No. EB7110 Scott M. Korpi, P.E. No. 50357						PLAN (DRAWING 3 OF 8)		

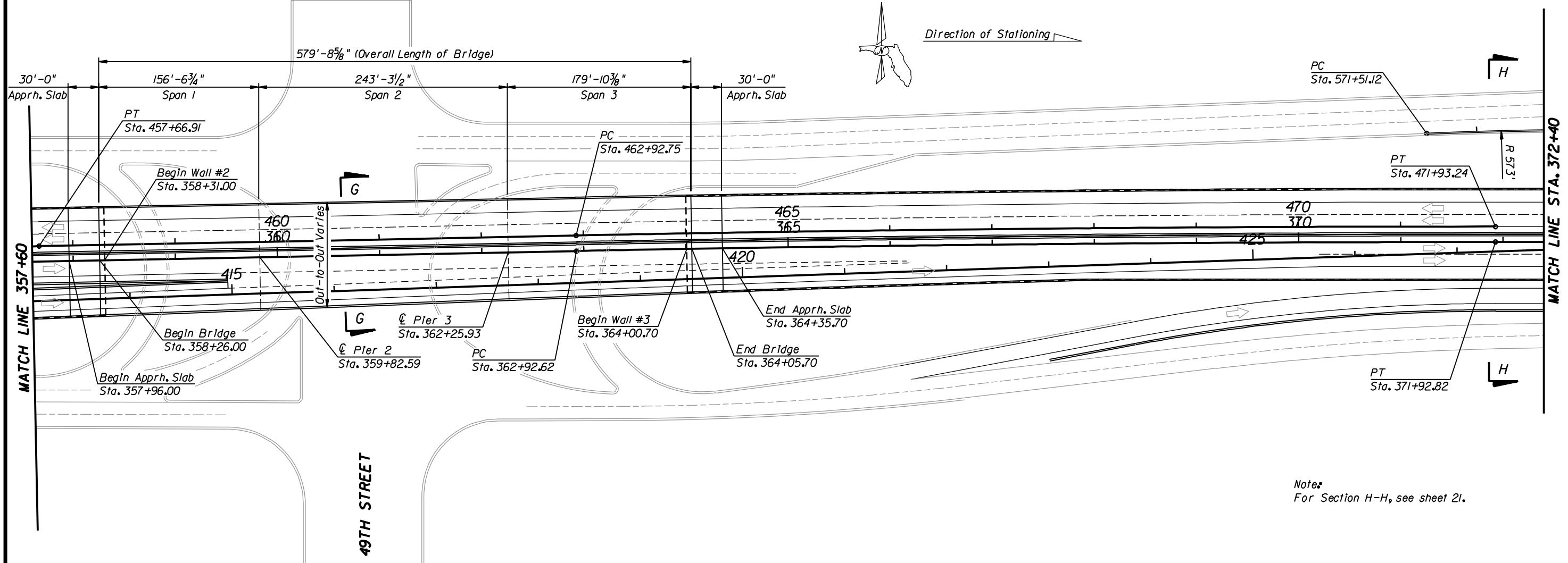


PLAN



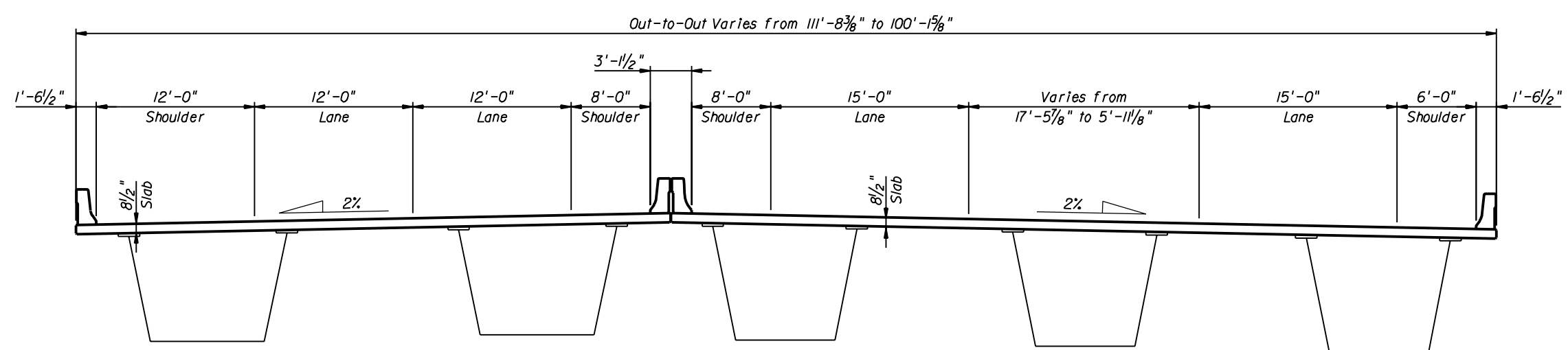
SECTION F-F

REVISIONS				NAMES		DATES		ENGINEER OF RECORD			SHEET TITLE		
DATE	BY	DESCRIPTION	DATE	BY	DESCRIPTION	DATE	BY	ROAD NO.	COUNTY	FINANCIAL PROJECT ID	PROJECT NAME		SHEET NO.
						2-05	JLV	CR 296	PINELLAS	413622-1-22-01	118TH AVENUE (CR 296) CONNECTOR FROM US 19 TO EAST OF 49TH STREET		16
						2-05	SK	American Consulting Engineers of Florida, LLC 4111 Land O' Lakes Blvd., Suite 210 Land O' Lakes, Florida 34639 Phone: (813) 996-2800 Fax: (813) 996-1908 Engineering Business No. EB7110 Scott M. Korpi, P.E. No. 50357					
						2-05	JLV	FLORIDA DEPARTMENT OF TRANSPORTATION					
						2-05	SK						
							SCOTT KORPI, PE						



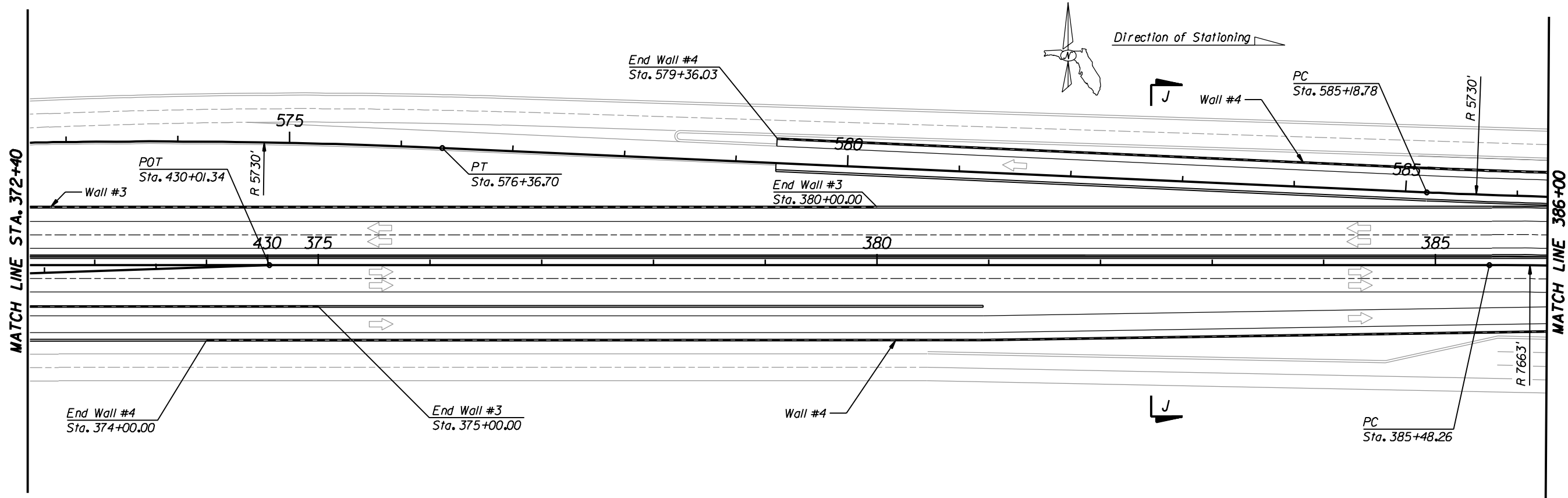
PLAN

Notes:
For Section H-H, see sheet 21.

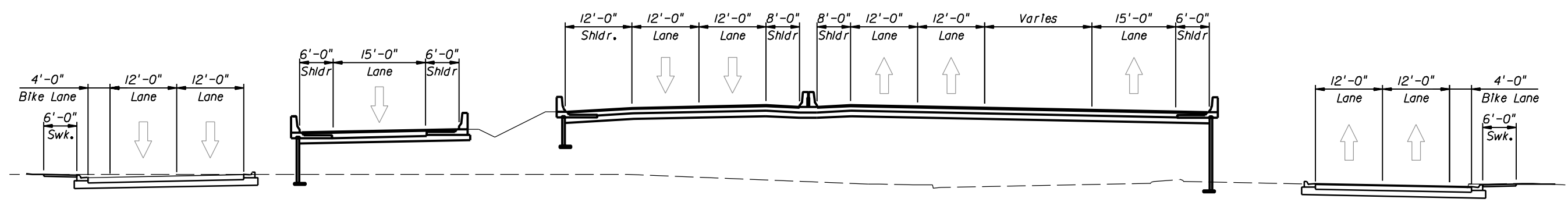


SECTION G-G

REVISIONS						NAMES		DATES		ENGINEER OF RECORD			SHEET TITLE	
DATE	BY	DESCRIPTION	DATE	BY	DESCRIPTION	DRAWN BY	DESIGNED BY	CHECKED BY	APPROVED BY	ROAD NO.	COUNTY	FINANCIAL PROJECT ID	PROJECT NAME	SHEET NO.
						JLV	JLV	SK	SCOTT KORPI, PE	CR 296	PINELLAS	413622-1-22-01	118TH AVENUE (CR 296) CONNECTOR FROM US 19 TO EAST OF 49TH STREET	17

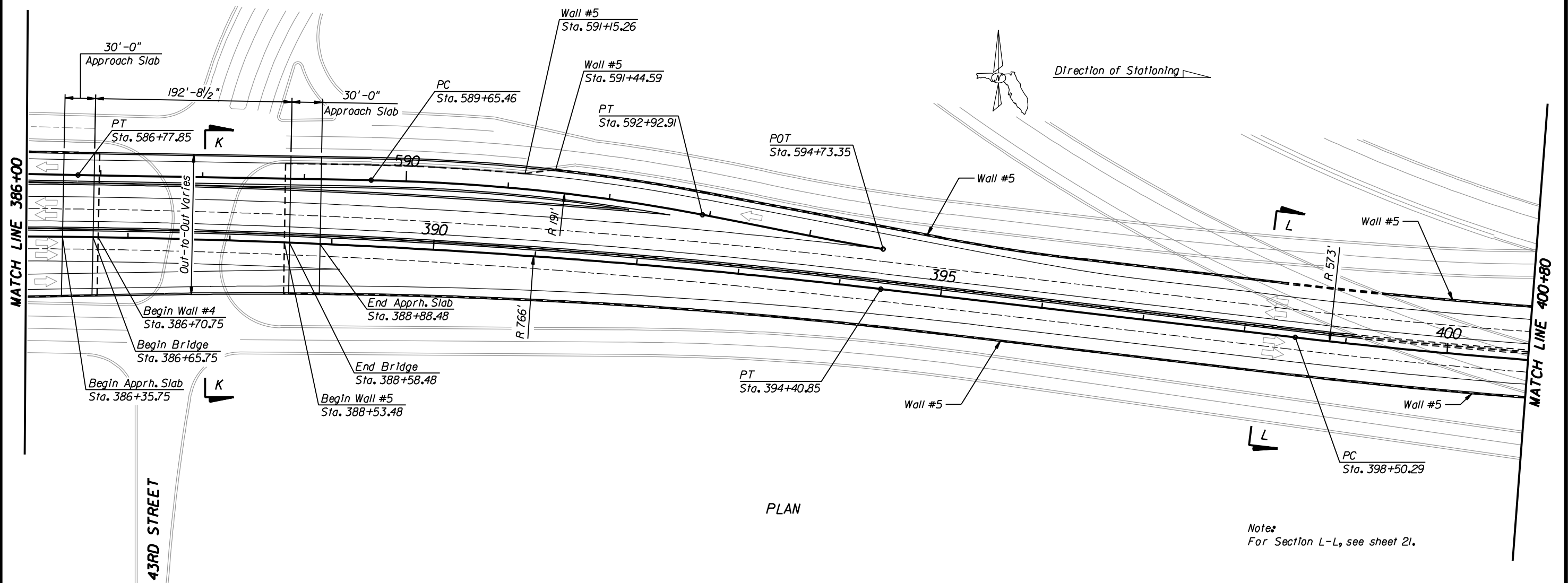


PLAN



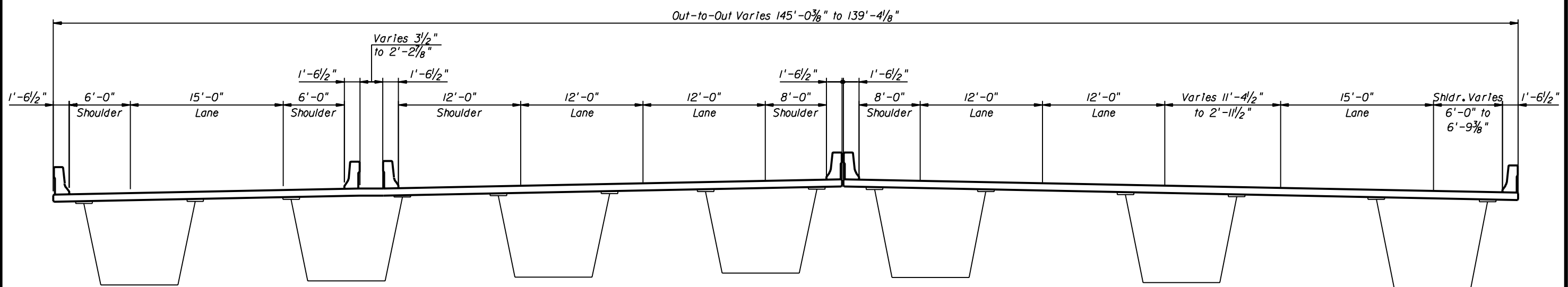
SECTION J-J

REVISIONS				NAMES		DATES		ENGINEER OF RECORD			SHEET TITLE		
DATE	BY	DESCRIPTION	DATE	BY	DESCRIPTION	DRAWN BY	DATE	FLORIDA DEPARTMENT OF TRANSPORTATION			PLAN (DRAWING 6 OF 8)		
						JLV	2-05	American Consulting Engineers of Florida, LLC 4715 Land O' Lakes Blvd., Suite 210 Land O' Lakes, Florida 34639 Phone: (813) 996-2800 Fax: (813) 996-1908 Engineering Business No. EB7110 Scott M. Korpi, P.E. No. 50357	ROAD NO.	COUNTY	FINANCIAL PROJECT ID	PROJECT NAME	
						SK	2-05		CR 296	PINELLAS	413622-1-22-01	118TH AVENUE (CR 296) CONNECTOR FROM US 19 TO EAST OF 49TH STREET	
						JLV	2-05					SHEET NO.	
						SK	2-05					18	
						SCOTT KORPI, PE							



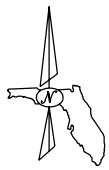
PLAN

Notes:
For Section L-L, see sheet 21.

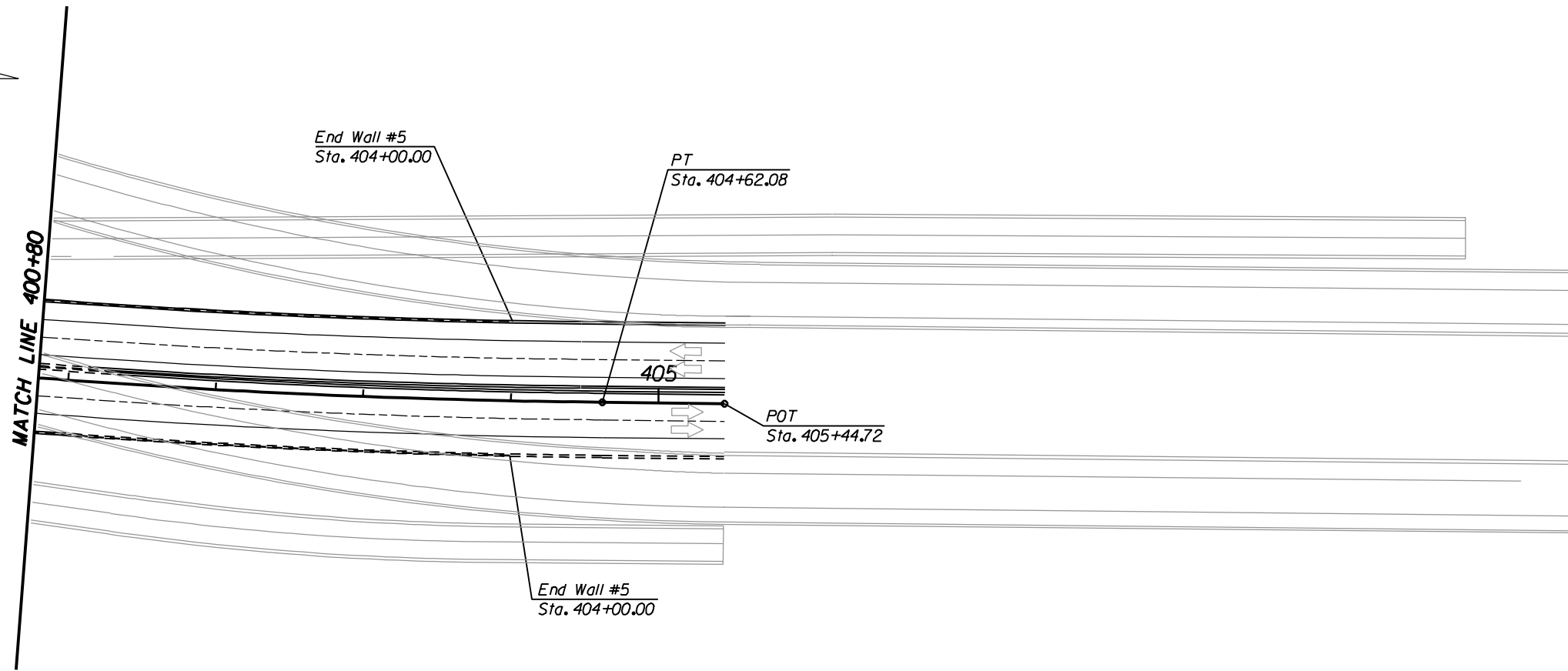


SECTION K-K

REVISIONS						ENGINEER OF RECORD			FLORIDA DEPARTMENT OF TRANSPORTATION			SHEET TITLE		
DATE	BY	DESCRIPTION	DATE	BY	DESCRIPTION	NAMES	DATES	ROAD NO.	COUNTY	FINANCIAL PROJECT ID	PROJECT NAME		SHEET NO.	
						DRAWN BY	JLV	2-05	CR 296	PINELLAS	413622-1-22-01	118TH AVENUE (CR 296) CONNECTOR FROM US 19 TO EAST OF 49TH STREET		19
					CHECKED BY	SK	2-05							
					DESIGNED BY	JLV	2-05							
					CHECKED BY	SK	2-05							
					APPROVED BY	SCOTT KORPI, PE								
						American Consulting Engineers of Florida, LLC 4111 Land O' Lakes Blvd., Suite 210 Land O' Lakes, Florida 34639 Phone: (813) 996-2800 Fax: (813) 996-1908 Engineering Business No. EB7110 Scott M. Korpi, P.E. No. 50357								



Direction of Stationing



PLAN

REVISIONS

DATE	BY	DESCRIPTION	DATE	BY	DESCRIPTION

	NAMES	DATES
DRAWN BY	JLV	2-05
CHECKED BY	SK	2-05
DESIGNED BY	JLV	2-05
CHECKED BY	SK	2-05
APPROVED BY	SCOTT KORPI, PE	

ENGINEER OF RECORD



American Consulting Engineers of Florida, LLC
 4711 Land O' Lakes Blvd., Suite 210
 Land O' Lakes, Florida 34639
 Phone: (813) 996-2800 Fax: (813) 996-1908
 Engineering Business No. EB7110
 Scott M. Korpi, P.E. No. 50357

FLORIDA DEPARTMENT OF TRANSPORTATION		
ROAD NO.	COUNTY	FINANCIAL PROJECT ID
CR 296	PINELLAS	413622-1-22-01

SHEET TITLE		SHEET NO.
PLAN (DRAWING 8 OF 8)		20
PROJECT NAME		
118TH AVENUE (CR 296) CONNECTOR FROM US 19 TO EAST OF 49TH STREET		

